



Rillenkugellager einreihig SF055-AR0-RBC - SF055-AR0-RBC


https://www.123kugellager.at/kugellager-gehauselager/rillenkugellager/einreihig/sf055-ar0-rbc

**ANGULAR CONTACT, A-TYPE
THIN SECTION BALL BEARINGS**

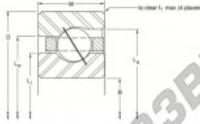




- 440C Stainless Steel
- Large Diameter
- Light Weight
- Small Cross Section
- Circular Pocket Ball Separator



Series: **SF**
Cross Section Size: **3/4"**



Material Type		Series	S
Rings		440C	
Balls		440C	
Typical Hardness		HRC 58 - 64	
Corrosion Resistance		Excellent	
Fatigue Resistance		Good	
Friction Resistance		Very Good	
Performance		May be supplied with or without grease/lubrication	

PART NUMBER	S	Bore	Outside Diameter	W	NOMINAL DIMENSIONS						
					U	V	W	R	R1	R2	
SF055AR0-RBC	S	139.700	177.800	19.050	6.438	14.000	6.438	14.000	0.000	2.000	0.000

Ball Quantity	Approx. Weight	LOAD RATINGS						Limiting Speed (GPM)					
		Static		Dynamic		Moment							
		Static	Dynamic	Static	Dynamic	Static	Dynamic						
34	1.134	8,310	36,000	4,800	21,400	23,900	106,070	13,900	61,100	N/A	N/A	N/A	3,200

PRODUKTMERKMALE

Marke	RBC
N° Ean13	3663952548630
Innendurchmesser	139.7 mm
Außendurchmesser	177.8 mm
Dicke	19.05 mm
Gewicht	1134 g
Verpackung	1

kontakt@123kugellager.at

+49 (0) 800 001 076 6

CRT4 de Lesquin 60 Rue Du Haut De Sainghin 59273 Fretin FRANCE