


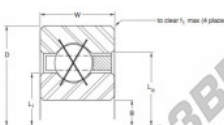
Rillenkugellager einreihig PAA15-XL0-RBC - PAA15-XL0-RBC

<https://www.123kugellager.at/kugellager-gehauselager/rillenkugellager/einreihig/paa15-xl0-rbc>

4-POINT CONTACT, X-TYPE
THIN SECTION BALL BEARINGS



- 17-4PH Steel with Ceramic Balls
- Large Diameter
- Light Weight
- Small Cross Section
- Snap-Over Ball Separator



Series: **PAA**

Cross Section Size: **3/16"**

P	
Material Type	Rings 17-4 PH
Balls	SiC/Ni
Typical Inertia	IGSC
Corrosion Resistance Material	Very Good
Fatigue Resistance	Poor
Friction Resistance	Poor
Permeative	May be supplied with or without permeative

PART NUMBER	B Bore	D Outside Diameter	W Width	NOMINAL DIMENSIONS			
				L1 Inner Ring	L2 Outer Ring	F1 Housing Fillet	Ball Diameter
PAA15XL0RBC	1.000 38.102	1.075 47.025	0.305 4.763	1.541 41.68	1.724 44.04	0.010 0.38	0.320

Ball Quantity	Approx. Weight	LOAD RATINGS						Limiting Speed (RPM)				
		Radial		Tangential		Moment						
		Static	Dynamic	Static	Dynamic	Static	Dynamic					
25	0.04 0.678	600	1,160	320	1,200	1,000	1,000	770	1,500	300	300	7,210

PRODUKTMERKMALE

Marke	RBC
N° Ean13	3663952545509
Innendurchmesser	38.1 mm
Innendurchmesser	1 1/2" inch
Außendurchmesser	47.625 mm
Außendurchmesser	1 7/8" inch
Dicke	4.763 mm
Dicke	3/16" inch
Gewicht	18 g
Verpackung	1

kontakt@123kugellager.at

+49 (0) 800 001 076 6

CRT4 de Lesquin 60 Rue Du Haut De Sainghin 59273 Fretin FRANCE