



## Gelenkköpfe SI PHS18-DURBAL - PHS18-DURBAL

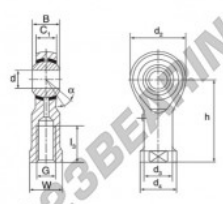
<https://www.123kugellager.at/kugellager-gehauselager/gelenkkopfe-gelenklager/si/phs18-durbal>

**PHS18**


**Description:** DIN ISO rod end K series. Sliding combination steel / heavy duty bronze.

**female thread:**  
lubrication required, according to DIN ISO 12240-4, series K





**Rod end body:**  
surface chromium plated

**Sliding combination:**  
steel / heavy duty bronze

**Inner ring:**  
bearing steel, hardened, ground and spherical surface chromium plated

**Outer ring:**  
heavy duty bronze with lubrication

**Lubrication:**  
lubrication required

order number	right hand thread	left hand thread	d	G	B	C1	d2	d3	d4
<b>PHS 18</b>			18	M 18 x 1.5	23	16,50	44	25,0	31

type	measurement [mm]				load rating C <sub>0</sub> [kN]	weight [kg]
	I <sub>2</sub> min	W	h	α [°]		
PHS / PHSL 18	32	27	71	15	42,5	0,320

### PRODUKTMERKMALE

Marke	DURBAL
N° Ean13	3663952495347
Innendurchmesser	18 mm
Innendurchmesser	0.709" inch
Außendurchmesser	44 mm
Außendurchmesser	1.732" inch
Dicke	23 mm
Dicke	0.906" inch
Typ	SI
Gewicht	320 g
Gewinde	Rechtsgewinde
Schmierung	ohne
Verpackung	1

[kontakt@123kugellager.at](mailto:kontakt@123kugellager.at)

+49 (0) 800 001 076 6

CRT4 de Lesquin 60 Rue Du Haut De Sainghin 59273 Fretin FRANCE