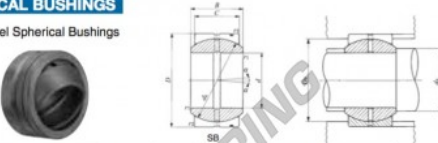


Gelenklager GE SB130200110-IKO - SB130200110-IKO

<https://www.123kugellager.at/kugellager-gehauselager/gelenkkopfe-gelenklager/ge/sb130200110-iko>

IKO
SPHERICAL BUSHINGS
Steel-on-steel Spherical Bushings



Shaft dia. mm	Identification number		Mass (Ref.) kg	Boundary dimensions mm						Permissible tilting angle degree α
	d	D		B	C	d_k	r_1	r_2		
130	SB 130200110		13.8	130	200	110	95	185	1	5
Mounting dimensions mm			Dynamic load capacity C_d N	Static load capacity C_s N						
d_a	D_a	D_s				Min.	Max.	Min.	Max.	Min.
135.5	148.5	194.5	171	1720 000	10 300 000					

Notes: (1) Minimum allowable value of chamfer dimensions r_1 and r_2 .
(2) When Spherical Bushings are used with full tilting angle, the shaft shoulder dimension must be less than the maximum value of d_a .
Remark: The inner ring and the outer ring have an oil groove and two oil holes, respectively.
2. Not provided with prepacked grease. Perform proper lubrication for use.

PRODUKTMERKMALE

Marke	IKO
N° Ean13	3663952391618
Innendurchmesser	130 mm
Außendurchmesser	200 mm
Dicke	110 mm
Typ	GE
Schmierung	ohne
Verpackung	1

kontakt@123kugellager.at

+49 (0) 800 001 076 6

CRT4 de Lesquin 60 Rue Du Haut De Sainghin 59273 Fretin FRANCE