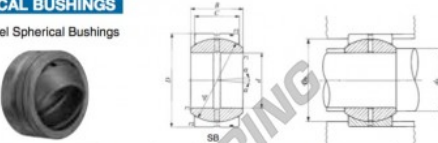


Gelenklager GE SB9515082-IKO - SB9515082-IKO

<https://www.123kugellager.at/kugellager-gehauselager/gelenkkopfe-gelenklager/ge/sb9515082-iko>

IKO
SPHERICAL BUSHINGS
Steel-on-steel Spherical Bushings



| Shaft dia. mm | Identification number | | Mass (Ref.) kg | Boundary dimensions mm | | | | | | Permissible tilting angle degree |
|---------------------------|-----------------------|---|----------------------|--|-----|----|----|----------------|----------------------------------|--|
| | SB | 9515082 | | d | D | B | C | d _k | r _s mm ⁽¹⁾ | |
| 95 | SB | 9515082 | 6.05 | 95 | 150 | 82 | 70 | 140 | 0.6 | 5 |
| Mounting dimensions mm | | Dynamic load capacity C _d N | | Static load capacity C _s N | | | | | | |
| d _s | D _s | | | | | | | | | |
| Min. Max. ⁽²⁾ | Max. Min. | | | | | | | | | |
| 99.5 113.5 | 145.5 130 | 961 000 | | 5 770 000 | | | | | | |

Notes⁽¹⁾ Minimum allowable value of chamfer dimensions r₁ and r₂.
⁽²⁾ When Spherical Bushings are used with full tilting angle, the shaft shoulder dimension must be less than the maximum value of d_s.
Remark: 1. The inner ring and the outer ring have an oil groove and two oil holes, respectively.
2. Not provided with prepacked grease. Perform proper lubrication for use.

PRODUKTMERKMALE

| | |
|------------------|---------------|
| Marke | IKO |
| N° Ean13 | 3663952391519 |
| Innendurchmesser | 95 mm |
| Außendurchmesser | 150 mm |
| Dicke | 82 mm |
| Typ | GE |
| Schmierung | ohne |
| Verpackung | 1 |

kontakt@123kugellager.at

+49 (0) 800 001 076 6

CRT4 de Lesquin 60 Rue Du Haut De Sainghin 59273 Fretin FRANCE