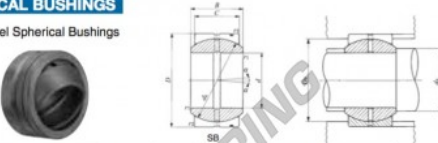


Gelenklager GE SB8513574-IKO - SB8513574-IKO

<https://www.123kugellager.at/kugellager-gehauselager/gelenkkopfe-gelenklager/ge/sb8513574-iko>

IKO
SPHERICAL BUSHINGS
Steel-on-steel Spherical Bushings



Shaft dia. mm	Identification number		Mass (Ref.) kg	Boundary dimensions mm						Permissible tilting angle degree
	SB	8513574		d	D	B	C	d _k	r ₁	
85	SB	8513574	4.29	85	135	74	63	125	0.6	6
Mounting dimensions mm		Dynamic load capacity C _d		Static load capacity C _s						
Min.	Max. ⁽²⁾	Min.	Max.	Min.	Max.					
89.5	100.5	130.5	116	772 000	4 630 000					

Notes⁽¹⁾ Minimum allowable value of chamfer dimensions r₁ and r₂.
⁽²⁾ When Spherical Bushings are used with full tilting angle, the shaft shoulder dimension must be less than the maximum value of d_k.
Remark1. The inner ring and the outer ring have an oil groove and two oil holes, respectively.
2. Not provided with prepacked grease. Perform proper lubrication for use.

PRODUKTMERKMALE

Marke	IKO
N° Ean13	3663952391472
Innendurchmesser	85 mm
Innendurchmesser	3.346" inch
Außendurchmesser	135 mm
Außendurchmesser	5.315" inch
Dicke	74 mm
Dicke	2.913" inch
Typ	GE
Gewicht	4290 g
Schmierung	ohne
Dynamische Belastung	772 kN
Statische Belastung	4630 kN
Verpackung	1
Standard	Ohne Standard

kontakt@123kugellager.at

+49 (0) 800 001 076 6

CRT4 de Lesquin 60 Rue Du Haut De Sainghin 59273 Fretin FRANCE