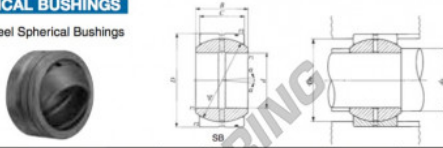


Gelenklager GE SB6510555-IKO - SB6510555-IKO

<https://www.123kugellager.at/kugellager-gehauselager/gelenkkopfe-gelenklager/ge/sb6510555-iko>

IKO
SPHERICAL BUSHINGS
Steel-on-steel Spherical Bushings



Shaft dia. mm	Identification number	Mass (Ref.) kg	Boundary dimensions mm						Permissible tilting angle degree
			d	D	B	C	d _k	r _s ⁽¹⁾	
65	SB 6510555	2.05	65	105	55	47	94	0.6	5
Mounting dimensions mm		Dynamic load capacity C _d N	Static load capacity C _s N						
d _s Min.	d _s Max. ⁽²⁾		D _s Min.	D _s Max.	C _d	C _s			
69.5	76	433 000	100.5	87	2 600 000				

Notes⁽¹⁾ Minimum allowable value of chamfer dimensions r₁ and r₂.
⁽²⁾ When Spherical Bushings are used with full tilting angle, the shaft shoulder dimension must be less than the maximum value of d_s.
Remark1: The inner ring and the outer ring have an oil groove and two oil holes, respectively.
2: Not provided with prepacked grease. Perform proper lubrication for use.

PRODUKTMERKMALE

Marke	IKO
N° Ean13	3663952391397
Innendurchmesser	65 mm
Außendurchmesser	105 mm
Dicke	55 mm
Typ	GE
Gewicht	2050 g
Schmierung	ohne
Verpackung	-
Standard	Ohne Standard

kontakt@123kugellager.at

+49 (0) 800 001 076 6

CRT4 de Lesquin 60 Rue Du Haut De Sainghin 59273 Fretin FRANCE