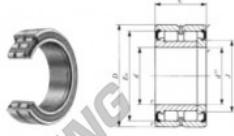


Nadellager NAG4922-UU-IKO - NAG4922-UU-IKO

<https://www.123kugellager.at/kugellager-gehauselager/nadellager/radial/nag4922-uu-iko>

IKO
ROLLER BEARINGS

Caged Roller Bearings **[With Seal]**
Full Complement Roller Bearings **[With Seal]**



NAG49-UU

Shaft dis. mm	Identification number		Mass (Ref.) g	Boundary dimensions mm				
	Full complement type	Caged type		d	D	C	r ⁽¹⁾ min	J
110	NAG 4922UU	—	2 010	110	150	40	1.5	123
<i>E_w</i>	Basic dynamic load rating C	Basic static load rating C ₀	Allowable rotational speed ⁽²⁾ rpm					
138.5	N	N	1,100					

Notes^(*)
(1) Minimum allowable value of chamfer dimension r
(2) Allowable rotational speed applies to grease lubrication. Considering that the axial load acts under practical operating conditions, up to 1/10 of this value is recommended for actual use.
Remarks: 1. The NAG and NAU series with a bore diameter, d, of 17 mm or less have no oil hole. In others, the outer ring has an oil groove and two oil holes.
2. The bearings with seals are provided with prepacked grease.

PRODUKTMERKMALE

Marke	IKO
N° Ean13	3663952386638
Innendurchmesser	110 mm
Außendurchmesser	150 mm
Dicke	40 mm
Verpackung	1

kontakt@123kugellager.at

+49 (0) 800 001 076 6

CRT4 de Lesquin 60 Rue Du Haut De Sainghin 59273 Fretin FRANCE