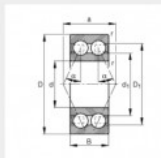


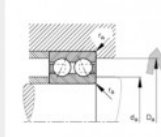
Rillenkugellager einreihig 3810-B-TVH-FAG - 3810-B-TVH-FAG

<https://www.123kugellager.at/kugellager-gehauselager/rillenkugellager/einreihig/3810-b-tvh-fag>

Angular contact ball bearings 3810-B-TVH
double row, contact angle $\alpha = 25^\circ$



d	50 mm
D	65 mm
B	12 mm
a	27.1 mm
D ₁	
D ₂ max	63 mm
d ₁	55.1 mm
d ₂ min	52 mm
r ₁ max	0.3 mm
r ₂ max	0.3 mm
α	25° Contact angle
m	0.07 kg Mass
C _r	8700 N Basic dynamic load rating, radial
C _{0r}	10400 N Basic static load rating, radial
C _r	590 N Fatigue limit load, radial
n _L	8100 1/min Limiting speed
n _B	5500 1/min Reference speed



PRODUKTMERKMALE

Marke	FAG
N° Ean13	3663952349671
Innendurchmesser	50 mm
Außendurchmesser	65 mm
Dicke	12 mm
Verpackung	1

kontakt@123kugellager.at

+49 (0) 800 001 076 6

CRT4 de Lesquin 60 Rue Du Haut De Sainghin 59273 Fretin FRANCE