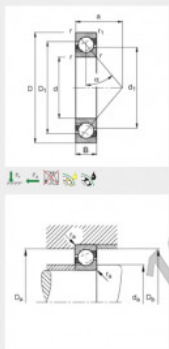


Rillenkugellager einreihig 7319-B-JP-FAG - 7319-B-JP-FAG

<https://www.123kugellager.at/kugellager-gehauselager/rillenkugellager/einreihig/7319-b-jp-fag>

Angular contact ball bearings 7319-B-JP
main dimensions to DIN 629-1, contact angle $\alpha = 40^\circ$



d	95 mm
D	200 mm
B	45 mm
a	84 mm
D ₁	159.5 mm
D _{1max}	160 mm
D _{2max}	193 mm
d ₁	137.1 mm
d _{1max}	138 mm
r _{1max}	1.1 mm
f _{a1max}	2.5 mm
f _{a2max}	1 mm
f _{pm}	3 mm
α	40 ° Contact angle
m	5.93 kg Masse
C	169000 N Basic dynamic load rating, radial
C ₀	167000 N Basic static load rating, radial
n ₀	4000 1/min Limiting speed
n ₀₂	3800 1/min Reference speed
C ₁₀	9300 N Fatigue limit load, radial

PRODUKTMERKMALE

Marke	FAG
N° Ean13	3663952348193
Innendurchmesser	95 mm
Außendurchmesser	200 mm
Dicke	45 mm
Gewicht	5930 g
Verpackung	1

kontakt@123kugellager.at

+49 (0) 800 001 076 6

CRT4 de Lesquin 60 Rue Du Haut De Sainghin 59273 Fretin FRANCE