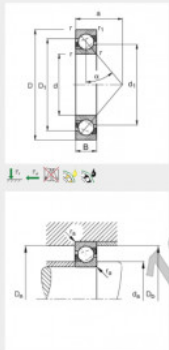


Rillenkugellager einreihig 7316-B-JP-FAG - 7316-B-JP-FAG

<https://www.123kugellager.at/kugellager-gehauselager/rillenkugellager/einreihig/7316-b-jp-fag>

Angular contact ball bearings 7316-B-JP
main dimensions to DIN 628-1, contact angle $\alpha = 40^\circ$



d	80 mm
D	170 mm
B	39 mm
a	72 mm
D ₁	136.7 mm
D _{2max}	158 mm
D _{2min}	163 mm
d ₁	115.7 mm
d _{2min}	92 mm
d _{2max}	1.1 mm
r _{1max}	2.1 mm
r _{2max}	9 mm
Fatmax	2.1 mm
F _{0max}	2.1 mm
α	40 ° Contact angle
m	3.86 kg Mass
C	155000 N Basic dynamic load rating, radial
C _p	124000 N Basic static load rating, radial
n _G	4750 1/min Limiting speed
n _R	4250 1/min Reference speed
C _r	7500 N Fatigue limit load, radial

PRODUKTMERKMALE

Marke	FAG
N° Ean13	3663952348131
Innendurchmesser	80 mm
Innendurchmesser	3.15" inch
Außendurchmesser	170 mm
Außendurchmesser	6.693" inch
Dicke	39 mm
Dicke	1.535" inch
Verpackung	1

kontakt@123kugellager.at

+49 (0) 800 001 076 6

CRT4 de Lesquin 60 Rue Du Haut De Sainghin 59273 Fretin FRANCE