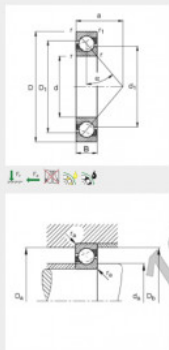


## Rillenkugellager einreihig 7219-B-JP-FAG - 7219-B-JP-FAG

<https://www.123kugellager.at/kugellager-gehauselager/rillenkugellager/einreihig/7219-b-jp-fag>

**Angular contact ball bearings 7219-B-JP**  
main dimensions to DIN 628-1, contact angle  $\alpha = 40^\circ$



d	95 mm
D	170 mm
B	32 mm
a	72 mm
D <sub>1</sub>	141.5 mm
D <sub>2max</sub>	158 mm
D <sub>3max</sub>	163 mm
d <sub>1</sub>	125.3 mm
d <sub>2min</sub>	107 mm
r <sub>1max</sub>	1.1 mm
r <sub>2max</sub>	2.1 mm
r <sub>1</sub>	1 mm
r <sub>2</sub>	2.1 mm
$\alpha$	40 ° Contact angle
m	2.64 kg Mass
C	123000 N Basic dynamic load rating, radial
C <sub>0</sub>	106000 N Basic static load rating, radial
n <sub>1</sub>	4700 1/min Limiting speed
n <sub>2</sub>	4450 1/min Reference speed
C <sub>1</sub>	6200 N Fatigue limit load, radial

### PRODUKTMERKMALE

Marke	FAG
N° Ean13	3663952347882
Innendurchmesser	95 mm
Außendurchmesser	170 mm
Dicke	32 mm
Verpackung	1

[kontakt@123kugellager.at](mailto:kontakt@123kugellager.at)

+49 (0) 800 001 076 6

CRT4 de Lesquin 60 Rue Du Haut De Sainghin 59273 Fretin FRANCE