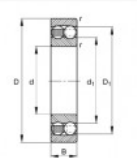


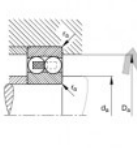
## Pendelkugellager 2220-M-FAG - 2220-M-FAG

<https://www.123kugellager.at/kugellager-gehauselager/rillenkugellager/pendelkugellager/2220-m-fag>

**Self-aligning ball bearings 2220-M**  
main dimensions to DIN 630



d	100 mm
D	180 mm
B	46 mm
D <sub>1</sub>	155.9 mm
D <sub>2max</sub>	168 mm
d <sub>1</sub>	124.4 mm
d <sub>2min</sub>	112 mm
r <sub>s,max</sub>	2.1 mm
r <sub>min</sub>	2.1 mm
m	5.25 kg <small>Mass</small>
C	85000 N <small>Basic dynamic load rating, radial</small>
e	0.27
Y <sub>0</sub>	2.33
Y <sub>1</sub>	3.61
C <sub>0</sub>	40000 N <small>Basic static load rating, radial</small>
Y <sub>2</sub>	2.44
n <sub>0</sub>	5600 1/min <small>Limiting speed</small>
n <sub>0</sub>	5400 1/min <small>Reference speed</small>
C <sub>10</sub>	2120 N <small>Fatigue limit load, radial</small>



### PRODUKTMERKMALE

Marke	FAG
N° Ean13	3663952346892
Innendurchmesser	100 mm
Außendurchmesser	180 mm
Dicke	46 mm
Verpackung	1

[kontakt@123kugellager.at](mailto:kontakt@123kugellager.at)

+49 (0) 800 001 076 6

CRT4 de Lesquin 60 Rue Du Haut De Sainghin 59273 Fretin FRANCE