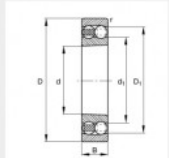


## Pendelkugellager 1315-K-M-C3-FAG - 1315-K-M-C3-FAG

<https://www.123kugellager.at/kugellager-gehauselager/rillenkugellager/pendelkugellager/1315-k-m-c3-fag>

**Self-aligning ball bearings 1315-K-M-C3**  
main dimensions to DIN 635, with tapered bore, taper: 1:12



d	75 mm
D	160 mm
B	37 mm
D <sub>1</sub>	134,8 mm
D <sub>2max</sub>	148 mm
d <sub>1</sub>	104,4 mm
d <sub>2min</sub>	87 mm
r <sub>1max</sub>	2,1 mm
r <sub>2min</sub>	2,1 mm
m	3,81 kg Mass
C	80000 N Basic dynamic load rating, radial
e	0,23
Y	2,77
Y <sub>1</sub>	4,29
C <sub>0</sub>	29500 N Basic static load rating, radial
Y <sub>0</sub>	2,9
n <sub>C</sub>	6300 1/min Limiting speed
n <sub>R</sub>	6800 1/min Reference speed
C <sub>10</sub>	1600 N Fatigue limit load, radial

### PRODUKTMERKMALE

Marke	FAG
N° Ean13	3663952346656
Innendurchmesser	75 mm
Außendurchmesser	160 mm
Dicke	37 mm
Gewicht	3810 g
Verpackung	-
Standard	-

[kontakt@123kugellager.at](mailto:kontakt@123kugellager.at)

+49 (0) 800 001 076 6

CRT4 de Lesquin 60 Rue Du Haut De Sainghin 59273 Fretin FRANCE