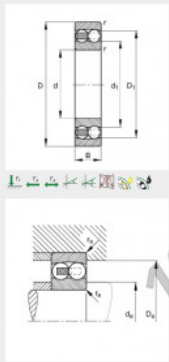


## Pendelkugellager 1314-M-FAG - 1314-M-FAG

<https://www.123kugellager.at/kugellager-gehauselager/rillenkugellager/pendelkugellager/1314-m-fag>

**Self-aligning ball bearings 1314-M**  
main dimensions to DIN 630



d	70 mm
D	150 mm
B	35 mm
D <sub>1</sub>	126.4 mm
D <sub>1max</sub>	138 mm
d <sub>1</sub>	97.7 mm
d <sub>1min</sub>	82 mm
f <sub>e</sub>	2.1 mm
f <sub>e max</sub>	2.1 mm
f <sub>e min</sub>	2.1 mm
m	3.22 kg Mass
C	75000 N Basic dynamic load rating, radial
e	0.23
Y <sub>1</sub>	2.79
Y <sub>2</sub>	4.32
C <sub>0</sub>	27000 N Basic static load rating, radial
Y <sub>0</sub>	2.93
n <sub>L</sub>	7000 1/min Limiting speed
n <sub>R</sub>	6900 1/min Reference speed
C <sub>10</sub>	1020 N Fatigue limit load, radial

### PRODUKTMERKMALE

Marke	FAG
N° Ean13	3663952346441
Innendurchmesser	70 mm
Außendurchmesser	150 mm
Dicke	35 mm
Verpackung	1

[kontakt@123kugellager.at](mailto:kontakt@123kugellager.at)

+49 (0) 800 001 076 6

CRT4 de Lesquin 60 Rue Du Haut De Sainghin 59273 Fretin FRANCE