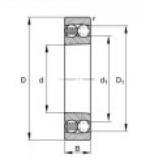


Pendelkugellager 1222-K-M-C3-FAG - 1222-K-M-C3-FAG

<https://www.123kugellager.at/kugellager-gehauselager/rillenkugellager/pendelkugellager/1222-k-m-c3-fag>

Self-aligning ball bearings 1222-K-M-C3
main dimensions to DIN 530, with tapered bore, taper 1:12



d	110 mm
D	200 mm
B	38 mm
D ₁	173,9 mm
D _{2max}	188 mm
d ₁	140,7 mm
d _{2max}	122 mm
f _{1max}	2,1 mm
f _{2max}	2,1 mm
m	5,48 kg Mass
C	89000 N Basic dynamic load rating, radial
e	0,17
Y ₁	3,61
Y ₂	5,59
C ₀	38000 N Basic static load rating, radial
Y ₀	3,78
n ₀	5000 1/min Limiting speed
n _R	5700 1/min Reference speed
C _L	1900 N Fatigue limit load, radial

PRODUKTMERKMALE

Marke	FAG
N° Ean13	3663952346144
Innendurchmesser	110 mm
Außendurchmesser	200 mm
Dicke	38 mm
Verpackung	1

kontakt@123kugellager.at

+49 (0) 800 001 076 6

CRT4 de Lesquin 60 Rue Du Haut De Sainghin 59273 Fretin FRANCE